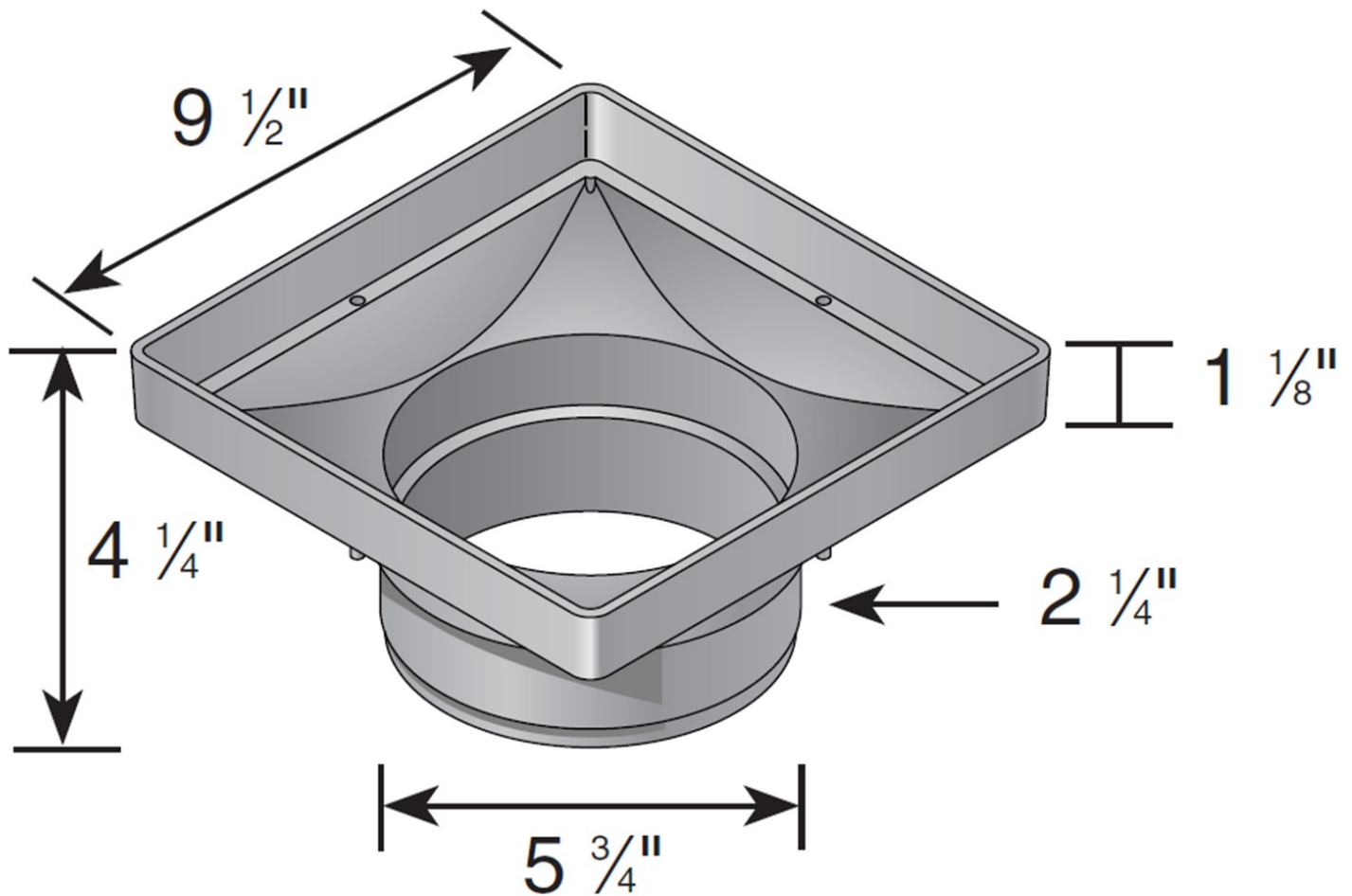


9" x 9" Low Profile Housing Adapter



Part #: 932
Material: (HIPS) High Impact Polystyrene
Color: Black
Fits: 6" Spee-D Basin, and 6" sewer and drain pipe and fittings.
UV inhibitor
Use with 9" x 9" Grates
Weight Per Each: 1.12 lbs.

Supplied By:

**TRENCHDRAIN
SUPPLY**

877-903-7246

www.trenchdrainsupply.com